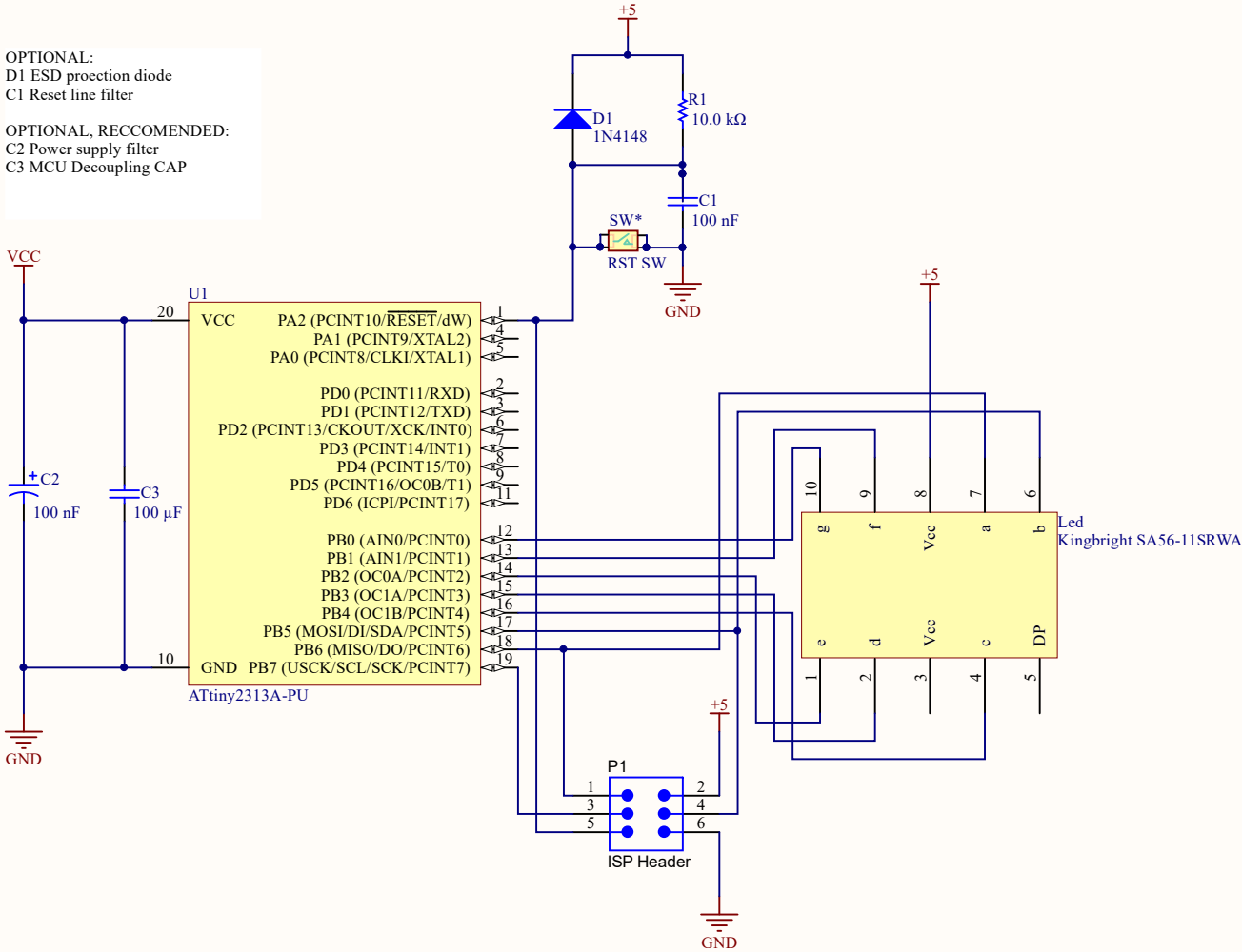


OPTIONAL:
 D1 ESD protection diode
 C1 Reset line filter

OPTIONAL, RECOMMENDED:
 C2 Power supply filter
 C3 MCU Decoupling CAP



Title Seven Segment Display			
Size: A4	Number:	Revision:	
Date: 29/05/2016	Time: 1:54:16 PM	Sheet of	
File: SevenSegment.SchDoc			